



INSTALLATION INSTRUCTIONS (Alloc Original/Original Trend)

IMPORTANT!

STORE THE FLOORBOARDS AT ROOM TEMPERATURE FOR AT LEAST 48 HOURS, STILL IN THEIR PACKAGING, PRIOR TO COMMENCING WORK.

The room temperature must be at a minimum of 18 °C (60 °F) before and during installation. Relative humidity must be 40-60 %. For floor surfaces exceeding 225 m² (2400 square feet) and/or lengths exceeding 15 m (50 feet) and overlaps to new rooms and floor surfaces which do not join symmetrically, use expansion joints to divide the floor sections.

1. PREPARATIONS

Alloc Original is to be installed as a floating floor, which means:

- The boards are not to be glued or tacked to the supporting floor or other fixed constructions
- Leave an expansion gap of app. 4-6 mm (approx. 1/4 inch) around the perimeter of the room.

Remove old mouldings. Measure the room accurately, at right angles to the direction of the boards. The boards in the final row should be at least 5 cm (2 inches) wide. If necessary, the boards in the first row can be cut to a smaller size on their width.

Tools needed to install Alloc Original are a jigsaw or a fine toothed handsaw and spacer blocks.

TIP-OFF! Please contact us for advice if the humidity is extremely low in the room, where you are about to install the floor.

2. THE SUBFLOOR

Alloc Original can be installed on most existing floors, e.g. wooden floors, PVC and concrete floors. Wall-to-wall carpets need to be removed. Make sure that the surface is level, dry and even [max ± 2 mm per 2 m (max. 3/16 inch per 10 feet)]. Squeaking noises in the floor or openings between floorboards can appear, if the subfloor doesn't comply with the specified requirements for flatness. On existing wooden floors Alloc Original is to be installed across the old floorboards.

The subfloor needs to be thoroughly dried:

- Wooden and wood based material, max. 50 % relative humidity
- Concrete and light concrete floor, max. 2,0 CM % (85 % relative humidity, 75 % relative humidity according to UK measuring method)
- Plaster and plaster based floor, max. 0,5 CM %

The subfloor must be carefully cleaned.

All types of concrete floors, light concrete floors or ceramics requires a moisture barrier. This is also needed even if floor heating is used, the moisture barrier is integrated with the subfloor construction, on PVC or similar and on concrete structural floor.

Use a plastic foil (ageing resistant PE-foil) with a thickness of at least 0.20 mm (8 mil). Apply with a minimum of 20 cm (8 inches) joint overlap, taped and turned up against the walls and clean-cut once the floor is installed.

If you want to add an extra underlay material, please contact your distributor.



Doc.no: LA-0811-30	Date: 13.11.2008
Replaces: LA-0711-30	Page: 2 of 5

3. FLOOR HEATING

Prior to installation of Alloc Original a moisture barrier with a minimum thickness of 0.20 mm (8 mil) must be installed. All heating elements must be turned off during installation and the temperature of the subfloor must be between 15 and 25 °C (59 and 77 °F). The maximum allowed surface temperature of Alloc Original is 28 °C (82 °F). The installed flooring area of Alloc Original must not contain heated and non-heated areas, unless separated by expansion profiles.

Kindly visit our website www.alloc.com for further information (installation of Alloc products in combination with floor heating).

The effect of the heating elements must not exceed:

- Heating element: 60 W/m² (PE-foil shall be installed directly under the Alloc floorboards)
- Heating mats: 60 W/m² (PE-foil shall normally be installed directly under the heating mats).
- Heating system with pipes of water: the incoming and outgoing water temperature must be regulated not to exceed 60 W/m² (PE-foil shall be installed directly under the Alloc floorboards)

Regulation of the temperature after installation, or if the heating system has been turned off for a period of time:

1. The first week the heating should be left on low temperature, 16-20 °C (61-68 °F).
2. The second week the heating may be adjusted according to the above.

Keep in mind that loose rugs may accidentally function as heat accumulators and raise the temperature to more than the tolerated maximum surface temperature (see above).

4. CLEANING AND USE

To protect the floor from water penetration all four edges are impregnated. If there is remainder of impregnation on top of the boards, it can easily be removed by approved solvents (e.g. white spirit).
For installation in North-America: In rooms where water overflow and leakage may occur, use a compressible material to seal the perimeter of Alloc Original, such as foam weather stripping caulked with silicone. For details contact your distributor or review the “express installation procedures” carefully. Clean the floor regularly with a vacuum cleaner or a dry mop. If required, the floor may be cleaned with a well wrung cloth and a synthetic detergent. Avoid using too much water. Spillages of water should be wiped off immediately.

N.B.: The surface might be more slippery (reduced anti slipping properties) when the floor is wet.

We recommend that you use felt/furniture pads under furniture or heavy objects and protective mats under castor chairs with hard material wheels.

The ideal humidity in a room is 40-60 % at 20 °C (68 °F).

For further information, see CM instructions.

5. INSTALLATION

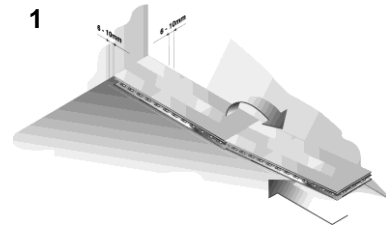
Please read all instructions before you start. Check the floorboards before installation. Installing floorboards with defective surfaces, or other visible defects, will limit a possible compensation to the value of the floorboards.

N.B.: There might be clicking noises in recently installed laminate flooring. This means that the laminate must be “walked in”. The noise will disappear after a while. White stripes on the edges of the floorboard will also disappear after a short period of time. Difference in gloss that can be seen from certain angles, is normal and no cause for claims.

The locking list of aluminium is of such nature that if it under any circumstances should be deformed or bent down, its horizontal position can easily be corrected by bending it back.

1. GETTING STARTED

Start in one corner. Place the floorboard with the aluminium joint facing the room and lay it towards right.



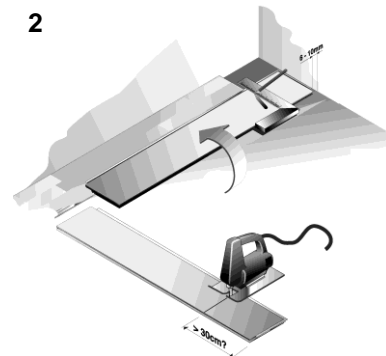
2. END OF A ROW

Place the final floorboard faced down with the short side 4-6 mm (approx. 1/4 inch) from the wall. Mark the place where the floorboard is to be cut.

Place the floorboard faced down on the work surface and cut to size, using a jigsaw. Start with the aluminium strip. Use a floorboard as a guide, to make a right-angled cut.

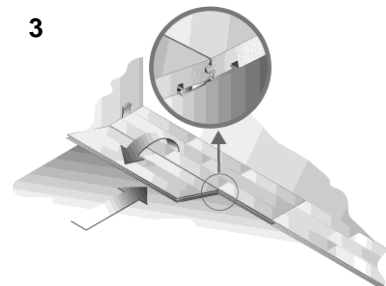
Cut faced up when using a miter saw.

Use a fine toothed type, if you are using a handsaw. Cut the floorboards faced up, and start at the aluminium strip. Use a sawing motion that is as horizontal as possible to the floorboard (see picture).



3. STARTING THE SECOND ROW

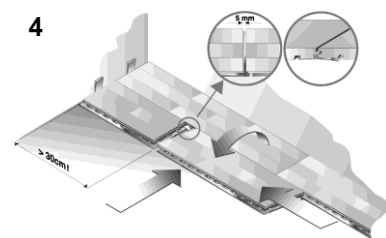
Use the cut piece of floorboard from the previous row to start the next row. This must be at least 30 cm (12 inches) long. Always ensure that the end joints are staggered at least 30 cm (12 inches). Place the floorboard in an angle to the floorboard in the previous row, press down and forward at the same time.



4. CONTINUE INSTALLING THE FLOOR

Place the next floorboard in the same manner. When placing the next floorboard, ensure that the end is positioned approximately 5 mm (1/4 inch) from the end of the previous floorboard – i.e. above its aluminium strip.

Press the floorboard gently down onto the floor. Use a tapping block to gently knock the floorboards into locking position on the short sides.





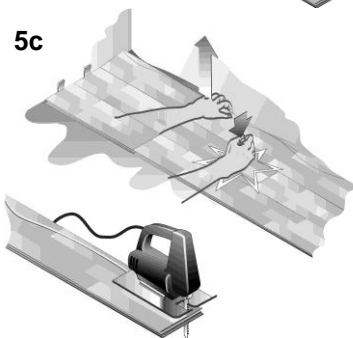
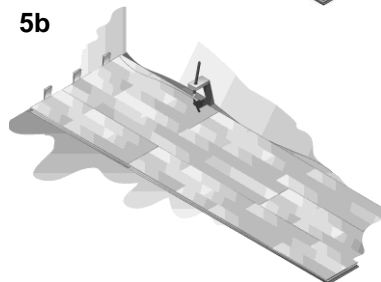
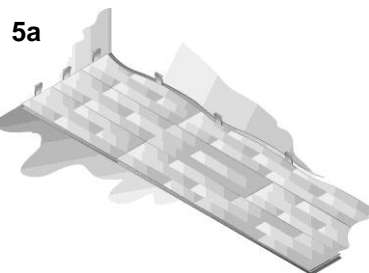
5. ALIGNING AGAINST THE WALL

5a.

When you have laid three complete rows of floorboards, slide the flooring in towards the wall, leaving the correct gap of 4-6 mm (approx. 1/4 inch). Use distance pieces (wedges).

5b/5c.

If the wall is uneven, the floorboards must be adapted to its contours (see pictures). Pull out the flooring and remove the first row (see point 6). Cut the floorboards as required and then re-lay them, by sliding them, in an angle, in under the floorboards that are already in position.

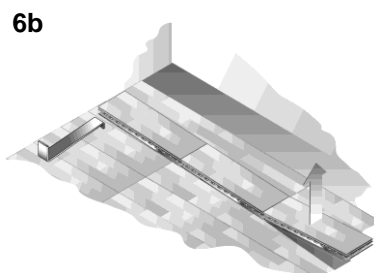
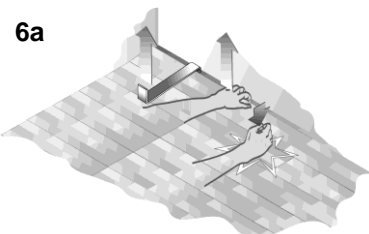


6. DISMANTLING THE FLOOR

6a/6b.

If you wish to remove the floor, just lift the floorboards a few centimetres and tap along the joint. This will release the floorboards, which then can be pulled out.

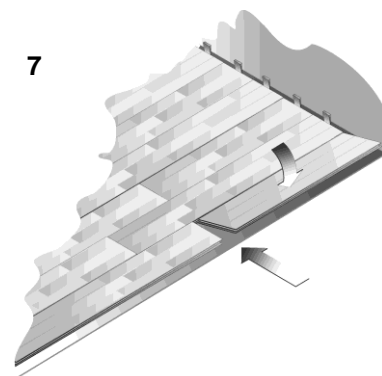
N.B.: Always bend the floorboards upwards to avoid damages in the locking system.



7. THE LAST ROW

The last row must be more than 5 cm (2 inches) wide. Measure the width of the missing row. Remember to leave a gap of 4-6 mm (approx. 1/4 inch) to the wall.
Then cut off the unneeded part (lengthwise) of the floorboard.
N.B.: It is the lengthwise part with the locking strip of aluminium that should be cut off.

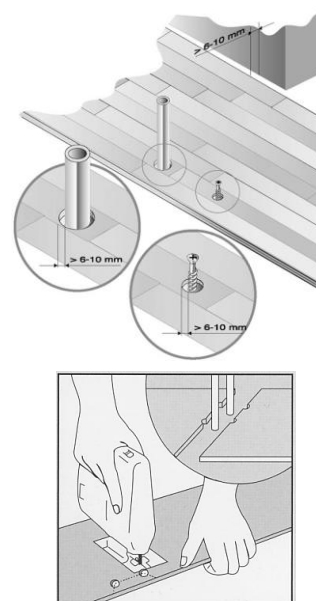
7



8. LEAD-INS

Drill holes into the floorboard for pipes (or cables/screws). Measure and mark the position of the floorboard. The diameter of the holes to be drilled must be 12-20 mm wider than the diameter of the pipes.
Saw as shown in the picture. Glue the sawn piece into the right position after the floorboard has been installed. The holes are then covered with pipe sleeves.

8



9. TERMINATION TOWARDS AN EDGE OR A DOOR OPENING

The floor must not be fixed to the subfloor. If you are using silicone towards an edge or a door opening then you must install a compressible filler e.g. Alloc FillerTwine (Art.nr.180001) in the bottom of the gap (see picture).
Alloc FillerTwine is placed in the gap and covered on top with a thin layer of silicone in a matching colour.

9

